

# Gas Pressure Switch

## Model C6097A

### Overview

Model C6097A gas pressure switch is a pressure detector for city gas, natural gas, LP gas, air, etc.

This product controls the ON/OFF status of an external electric circuit according to the set values.

This product can be widely used to detect the upper and lower pressure limits of gas or air that is supplied to gas combustion equipment, burner blower interlock, clogged filters.

A switch-operated indicator lamp is available as an auxiliary part (sold separately).

This product conforms to CE standards.

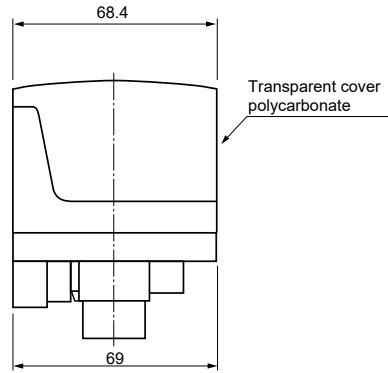
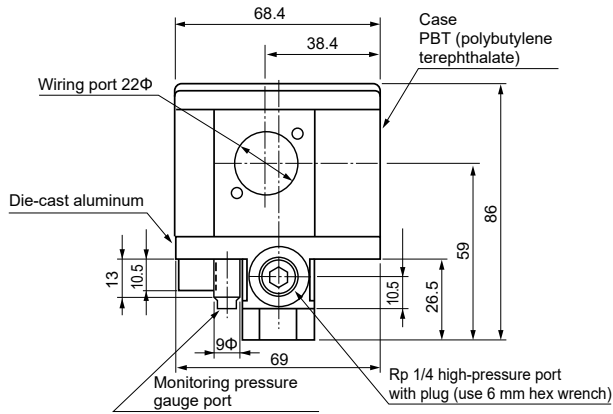


### Specifications

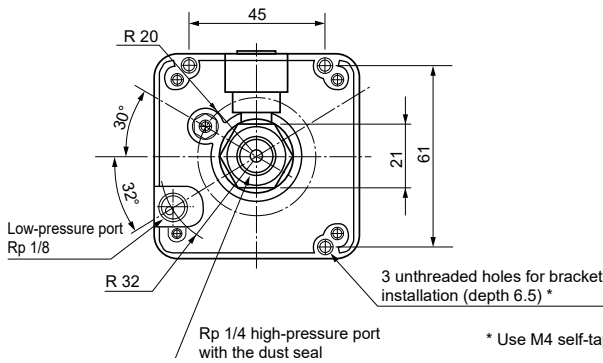
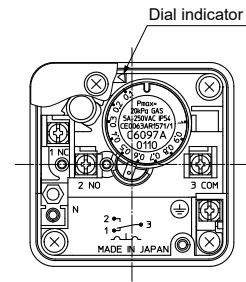
<b>Product name</b>	Gas pressure switch				
<b>Features</b>	<ul style="list-style-type: none"> <li>The setting dial is in kPa units.</li> <li>This product can be used in a wide range of ambient temperatures from -15 to +60 °C.</li> <li>For non-flammable gases, this product can also be used as a negative pressure switch or a differential pressure switch.</li> <li>A pressure meter port is provided for monitoring purposes.</li> <li>A JIS-standard electrical conduit can be connected.</li> </ul>				
<b>Applicable fluids</b>	City gas, natural gas, LP gas, air				
<b>Model No.</b>	<b>C6097A0110</b>	<b>C6097A0210</b>	<b>C6097A0310</b>	<b>C6097A0410</b>	<b>C6097A0510</b>
<b>Control operation</b>	ON/OFF	ON/OFF	ON/OFF	ON/OFF	ON/OFF
<b>Setting range</b>	0.1 to 1 kPa	0.25 to 5 kPa	3 to 15 kPa	10 to 50 kPa	10 to 70 kPa
<b>Differential gap (nominal)</b>	40 Pa (fixed)	60 Pa (fixed)	280 Pa (fixed)	700 Pa (fixed)	800 Pa (fixed)
<b>Maximum allowable pressure</b>	20 kPa	30 kPa	50 kPa	150 kPa	150 kPa
<b>Setting accuracy</b>	0.1±0.06 kPa, 1±0.15 kPa	0.25±0.15 kPa, 5±0.75 kPa	3±0.9 kPa, 15±2.25 kPa	10±2.4 kPa, 50±7.5 kPa	10±3 kPa, 70±8 kPa
<b>Output</b>	SPDT contact output When pressure is rising: between terminals (1) and (3) open, between terminals (2) and (3) closed When pressure is falling: between terminals (1) and (3) closed, between terminals (2) and (3) open				
<b>Contact rating</b>	Resistive load: 250 V AC, 5 A. Minimum operating voltage and current: 50 mA, 24 V DC Inductive load: 250 V AC, 3 A (power factor: 0.6)				
<b>Insulation resistance</b>	Between each terminal and non-charged metal part: 100 MΩ or more with a 500 V DC megger				
<b>Withstand voltage</b>	Between terminals of the same polarity: 600 V AC, 50/60 Hz, for 1 min Between each terminal and non-charged metal part: 1500 V AC, 50/60 Hz, for 1 min Leakage current of 1 mA or less under the above-mentioned conditions				
<b>Contact resistance</b>	Initial state: 100 mΩ or less (measured using the voltage drop method at 6 to 8 V DC and 1 A)				
<b>Allowable ambient temperature</b>	-15 to +60 °C (without freezing or condensation)				
<b>Allowable fluid temperature</b>	-15 to +60 °C (without freezing or condensation)				
<b>Durability</b>	At rated contact voltage and current, 100,000 cycles or more				
<b>Wiring terminal</b>	M3.5 screw terminal				
<b>Installation position</b>	Vertical, or horizontal with the pressure-setting dial facing upward				
<b>Electric shock protection class</b>	Class I				
<b>Standards</b>	EN 1854 (GAR), certificate No. 0063AR1571/1 EN 60730-2-6 (LVD), JIS C 9730-2-6				
<b>Weight</b>	260 g				
<b>Gas-contacting material on the high pressure side</b>	Die-cast aluminum (housing), NBR/nitrile rubber (diaphragm)				
<b>Auxiliary parts (sold separately)</b>	Switchoperated indicator lamp (100/200 V AC), model No. <b>81404156</b>				

## External dimensions

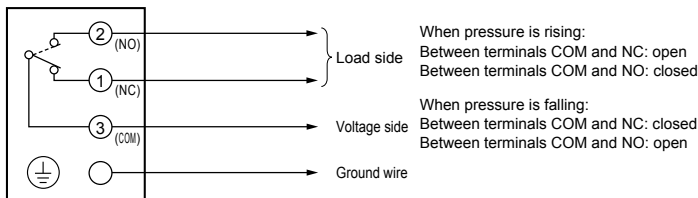
(Unit: mm)



## Top view



## Terminal connection diagram



Please read "Terms and Conditions" from the following URL before ordering and use.  
<https://www.azbil.com/products/factory/order.html>

Specifications are subject to change without notice.

**azbil**

**Azbil Corporation**  
 Advanced Automation Company

1-12-2 Kawana, Fujisawa  
 Kanagawa 251-8522 Japan  
 URL: <https://www.azbil.com/>

1st edition: Oct. 2017  
 3rd edition: Jun. 2022

No part of this publication may be reproduced or duplicated without the prior written permission of Azbil Corporation.