

Single Loop Controller

Model C25/C26

Overview

The C25/C26 is a digital indicating controller featuring multi-range inputs and PID control system using new algorithms "RationalLOOP".

Up to two control output points (this number of points may vary depending on the model) can be used, which are selectable from the relay contact, voltage pulse, and current.

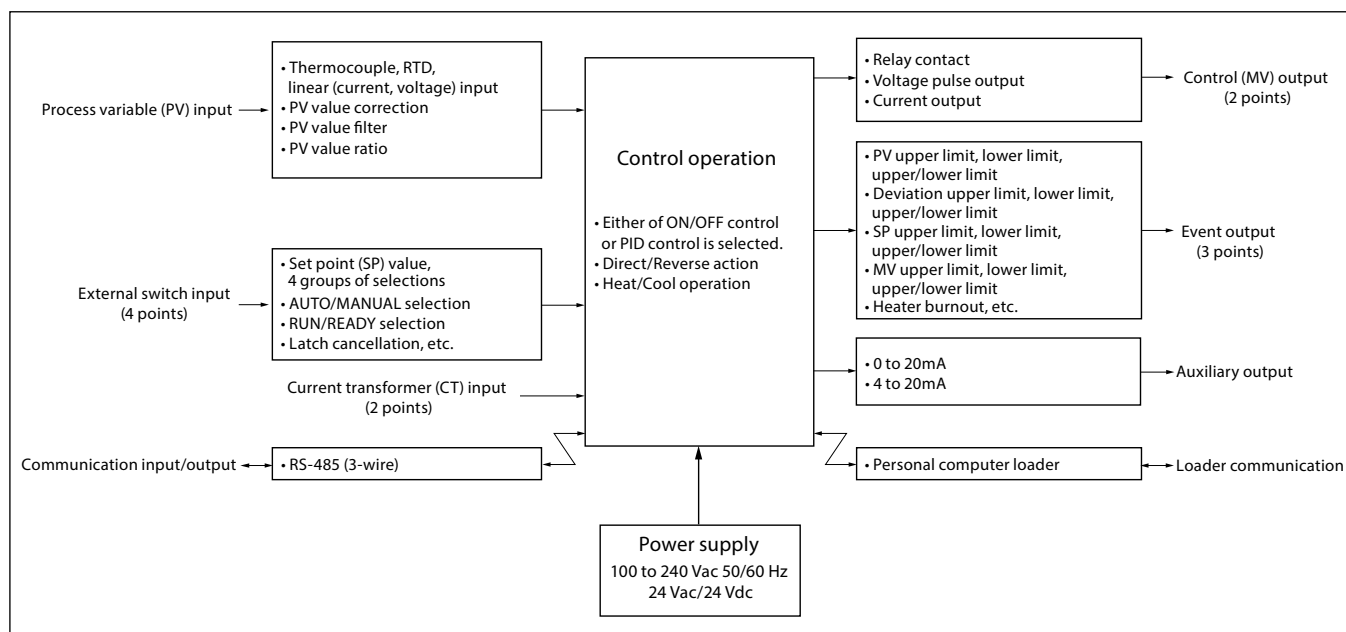
The smart loader package ensures easy setting operation and monitoring.

Features

- Space saving design with a depth of 65mm.
The mask of the front panel is also only 5mm thick.
- High accuracy of ± 0.3 %FS and sampling cycle of 0.3 s (seconds).
- Multi-range inputs are available for selection, where the input type can be freely changed among thermocouple, RTD, current, and voltage.
- The control method can be selected from any of the ON/OFF control and PID control using "RationalLOOP".
- The heat/cool control can be achieved using two control output points and event outputs.
- The PC loader port is provided as a standard function.
- The control output types available for selection are relay, voltage pulse, and current outputs. The heat/cool control can be achieved by interfacing with the 2nd control output in combination with these outputs.
- Event 3 points or 2 points (independent contact), CT input 2 points, DI 4 points, and RS-485 can be selected in combination.
- The smart loader package (SLP-C35) can be used.



Basic function block of model C25/C26



Specifications

PV input	Input type	Multi-range of inputs - thermocouple, RTD, DC current and DC voltage		
	Input sampling time	0.3 s		
	Input bias current	Thermocouple input: 0.2 μ A or less RTD input: 1 mA typical DC voltage input: 1 V range or less... 1 μ A or less 0 to 5 V, 1 to 5 V range... 3.5 μ A or less 0 to 10 V range... 7 μ A or less	*1 RTD or A-wire burnout: Upscale + AL01 B-wire or C-wire burnout: Upscale + AL01, 03 More than 2-wire burnout: Upscale + AL01	
	Burnout	Thermocouple input: Upscale + AL01 RTD input: Upscale + alarm display *1 DC voltage input: Upscale + AL02 (however, the burnout cannot be detected for the 0 to 10 V range.) DC current input: Upscale + AL02 (however, the burnout cannot be detected for the 0 to 20 mA range.)		
Indications and setting	PV, SP indication method	4-digit, 7-segment LED (PV: Upper green display, SP: Lower orange display)		
	Number of setting points	Max. 4 points		
	Setting range	Lower to higher limit value of the PV range (SP upper/lower limit available)		
	Multi-status indicator	The control output status, alarm or RUN/READY status is indicated.		
	Indication accuracy	± 0.3 % FS ± 1 digit In the negative area of the thermocouple, the accuracy is ± 0.6 % FS ± 1 digit (at an ambient temperature of $23 \pm 2^\circ\text{C}$.)		
	Indication range	See Table 1.		
Control output	Output type	Relay contact	Voltage pulse	Current
	Control action	Time proportional PID	Time proportional PID	Continuous PID
	Number of PID groups	Max. 4 groups	Max. 4 groups	Max. 4 groups
	PID auto-tuning	Automatic PID value setting by limit cycle method. However, one of the following 3 control characteristics can be selected: • Standard • Quick disturbance response • Less up/down fluctuations		
	Output rating	NO side: 250 Vac/30 Vdc, 3 A (resistive load) NC side: 250 Vac/30 Vdc, 1 A (resistive load) Service life: NO side: 50,000 cycles or more NC side: 100,000 cycles or more Min. opening/closing time: 250 ms	Open terminal voltage: 19 Vdc ± 15 % Internal resistance: $82 \Omega \pm 0.5$ % Allowable current: Max. 24 mAdc Min. OFF/ON time: When 1 s or less: 1 ms When 2 to 9 s: Cycle time x 1 ms When 10 s or longer: 250 ms	Output type: 0 to 20 mAdc or 4 to 20 mAdc Allowable load resistance: Max. 600 Ω Output accuracy: ± 0.3 % FS (however, ± 1 % FS for 0 to 1 mA)
	Cycle time (s)	5 to 120	0.1, 0.25, 0.5, 1 to 120	—
	PID control	Proportional band (%FS)	0.1 to 999.9	
		Integral time (s)	0 to 9999	
		Derivative time (s)	0 to 9999	
		Manual set (%)	-10.0 to +110.0	
	ON/OFF control	Operating differential ($^\circ\text{C}$)	0 to 9999 digit	
Control operation selection	Direct action or reverse action (however, reverse action only for heat/cool control)			
Heat/Cool control selection	Control output and event output, auxiliary output			
Auxiliary output	Output type	0 to 20 mAdc or 4 to 20 mA		
	Load resistance	Max. 600 Ω		
	Output accuracy	± 0.3 % FS (however, ± 1 digit for 0 to 1 mA)		
External contact input (DI)	Number of inputs	Max. 4 points		
	Function	Up to 4 kinds of setting value (SP) selections, PID group selection, RUN/READY selection, AUTO/MANUAL selection, Auto tuning stop/start, Control action Direct/Reverse selection, SP ramp enable/disable, PV value hold, Max. PV value hold, Min. PV value hold, Timer start/stop, All DO latch cancellation		
	Input rating	Non-voltage contact or open collector		
	Min. detection holding time	0.6 s or longer		
	Allowable ON contact resistance	Max. 250 Ω		
	Allowable OFF contact resistance	Min. 100 k Ω		
	Allowable ON-state residual voltage	Max. 1.0 V		
	Open terminal voltage	5.5 Vdc ± 1 V		
ON terminal current	Approx. 7.5 mA (at short-circuit), Approx. 5.0 mA (at contact resistance of 250 Ω)			

Event	Number of output points	2 to 3 points (according to a model)			
	Number of internal event settings	Up to 8 settings			
	Event type	PV high limit		PV low limit	
		Direct action	Reverse action	Direct action	Reverse action
	● shows that the ON/OFF is changed at this value.				
	○ shows that the ON/OFF is changed at a point that "1U" is added to this value.	PV high/low limit		Deviation high limit	
		Direct action	Reverse action	Direct action	Reverse action
		Deviation low limit		Deviation high/low limit	
		Direct action	Reverse action	Direct action	Reverse action
		SP high limit		SP low limit	
		Direct action	Reverse action	Direct action	Reverse action
		SP high/low limit		MV low limit	
		Direct action	Reverse action	Direct action	Reverse action
		MV low limit		MV high/low limit	
		Direct action	Reverse action	Direct action	Reverse action
		Heater burnout/Over-current		Heater short-circuit	
		Direct action	Reverse action	Direct action	Reverse action

Event	Event type	Loop diagnosis 1
<p>The event is turned ON when any change in PV corresponding to increase/decrease in MV (manipulated variable) is not observed. This event is used to detect any fault of final control devices.</p> <ul style="list-style-type: none"> ● Setting items <ul style="list-style-type: none"> • Main setting: MV (manipulated variable) • Sub-setting: PV • ON delay time: Diagnosis time ● Operation specifications <p>The event is turned ON when the value does not reach the PV set in the sub-setting within the diagnosis time (ON delay time) even though the MV exceeding the main setting is held.</p> ● CAUTION <p>When setting the ON delay, it is necessary to put in "Multi-function setup". The default setting of the ON delay before shipment is 0.0 s.</p> 		
Direct action		Reverse action
<p>Heat control</p> <p>On delay is started when conditions 1 and 2 are satisfied.</p>		<p>Cool control</p> <p>ON delay is started when conditions 1 and 2 are satisfied.</p>
Loop diagnosis 2		
<p>The event is turned ON when any change in PV corresponding to increase/decrease in MV (manipulated variable) is not observed. This event is used to detect any fault of final control devices.</p> <ul style="list-style-type: none"> ● Setting items <ul style="list-style-type: none"> • Main setting: MV (manipulated variable) • Sub-setting: Change in PV from the point that the MV exceeds the main setting. • ON delay time: Diagnosis time ● Operation specifications <p>The event is turned ON when the MV exceeding the main setting is held (conditions 2) and the PV does not reach the value that the sub-setting is added to (subtracted from) the PV at the point where the MV exceeds the main setting within the diagnosis time (ON delay time) (conditions 1).</p> ● CAUTION <p>When setting the ON delay, it is necessary to put in "Multi-function setup". The default setting of the ON delay before shipment is 0.0 s.</p> 		
Direct action		Reverse action
<p>Heat control</p> <p>ON delay is started when conditions 1 and 2 are satisfied.</p>		<p>Cool control</p> <p>ON delay is started when conditions 1 and 2 are satisfied.</p>

Event	Event type	Loop diagnosis 3	
		<p>The event is turned ON when any change in PV corresponding to increase/decrease in MV (manipulated variable) is not observed. This event is used to detect any fault of final control devices.</p> <ul style="list-style-type: none"> ● Setting items <ul style="list-style-type: none"> • Main setting: Change in PV from the point that the MV reaches the upper limit (100 %) or lower limit (0 %). • Sub-setting: Range of absolute value of deviation (PV – SP) allowing the event to turn OFF. • ON delay time: Diagnosis time • OFF delay time: A period of time from power ON allowing the event to turn OFF. ● Operation specifications <ul style="list-style-type: none"> • The direct action is used for the heat control. The event is turned ON when the increase in PV becomes smaller than the main setting after the diagnosis time (ON delay time) has elapsed from the time that the MV had reached the upper limit, or when the decrease in PV becomes smaller than the main setting from the time that the diagnosis time (ON delay time) has elapsed from the time that the MV had reached the lower limit. • The reverse action is used for the cool control. The event is turned ON when the decrease in PV becomes smaller than the main setting after the diagnosis time (ON delay time) has elapsed from the time that the MV had reached the upper limit, or when the increase in PV becomes smaller than the main setting after the diagnosis time (ON delay time) has elapsed from the time that the MV had reached the lower limit. • The event is turned OFF regardless of other conditions when the absolute value of the deviation (PV – SP) becomes less than the sub-setting. • The event is turned OFF regardless of other conditions when a period of time after starting of operation from the time that the power has been turned ON becomes less than the OFF delay time. However, the event is turned OFF when the absolute value of the deviation is the (sub-setting – hysteresis) value or less after the absolute value of the deviation has become the sub-setting or more. ● CAUTION When setting the ON delay and OFF delay, it is necessary to put in "Multi-function setup". The default settings of the ON delay and OFF delay before shipment are 0.0s. 	
		<p style="text-align: center;">Direct action</p> <p>Heat control</p> <p>ON delay is started when conditions 1 and 2 are satisfied.</p>	<p style="text-align: center;">Reverse action</p> <p>Cool control</p> <p>ON delay is started when conditions 1 and 2 are satisfied.</p>
		PV alarm (status)	
		<p style="text-align: center;">Direct action</p> <p>ON if PV alarm (alarm code AL01 to 99) occurs, OFF in other cases.</p>	<p style="text-align: center;">Reverse action</p> <p>OFF if PV alarm (alarm code AL01 to 03) occurs, ON in other cases.</p>
		READY (status)	
		<p style="text-align: center;">Direct action</p> <p>ON in the READY mode. OFF in the RUN mode.</p>	<p style="text-align: center;">Reverse action</p> <p>OFF in the READY mode. ON in the RUN mode.</p>
		MANUAL (status)	
		<p style="text-align: center;">Direct action</p> <p>ON in the MANUAL mode. OFF in the AUTO mode.</p>	<p style="text-align: center;">Reverse action</p> <p>OFF in the MANUAL mode. ON in RUN mode.</p>
		During AT (Auto tuning)	
		<p style="text-align: center;">Direct action</p> <p>ON while AT is running. OFF while AT is being stopped.</p>	<p style="text-align: center;">Reverse action</p> <p>OFF while AT is running. ON while AT is being stopped.</p>
		During SP ramp	
		<p style="text-align: center;">Direct action</p> <p>ON during SP ramp. OFF when SP ramp is not performed or is completed.</p>	<p style="text-align: center;">Reverse action</p> <p>OFF during SP ramp. ON when SP ramp is not performed or is completed.</p>
		Control operation (status)	
		<p style="text-align: center;">Direct action</p> <p>ON during direct action (cooling). OFF during reverse action (heating).</p>	<p style="text-align: center;">Reverse action</p> <p>OFF during direct action (cooling). ON during reverse action (heating).</p>
		ST (Smart Tuning) setting standby (status)	
		<p style="text-align: center;">Direct action</p> <p>ON in the ST setting standby. OFF in the ST setting completion.</p>	<p style="text-align: center;">Reverse action</p> <p>OFF in the ST setting standby. ON in the ST setting completion.</p>

Event	Event type	<p style="text-align: center;">Timer (status)</p> <p>The direct and reverse action settings are disabled for the timer event. When using the timer event, it is necessary to set the operation type of the DI allocation to "Timer Start/Stop". Additionally, when setting the event channel designation of the DI allocation, multiple timer events are controlled from individual internal contacts (DI).</p> <ul style="list-style-type: none"> ● Setting items <ul style="list-style-type: none"> • ON delay time: A period of time necessary to change the event from OFF to ON after DI has been changed from OFF to ON. • OFF delay time: A period of time necessary to change the event from ON to OFF after DI has been changed from ON to OFF. ● Operation specifications <ul style="list-style-type: none"> • The event is turned ON when DI ON continues for ON delay time or longer. • The event is turned OFF when DI OFF continues for OFF delay time or longer. • In other cases, the current status is continued. <ul style="list-style-type: none"> ● CAUTION When setting the ON delay and OFF delay, it is necessary to put in "Multi-function setup". The default settings of the ON delay and OFF delay before shipment are 0.0s. The default setting of the event channel designation of the DI allocation before shipment is "0". In this case, the timer event start/stop can be set for all internal events from one internal contact (DI). Additionally, as one or more event channel designation is set, the timer event start/stop can be set for one internal event specified by one internal contact (DI). However, when setting the event channel of the DI allocation, it is necessary to put in "Multi-function setup". <p>Direct/Reverse action, standby, and READY operations can be set when setting up each event (E1.C1 to E5.C2).</p>		
	Operating differential	0 to 9999 digit		
	Output operation	ON/OFF operation		
	Output type	SPST relay contacts, common for 3 points/independent contact for 2 points		
	Output rating	250 Vac/30 Vdc, 2 A (resistive load)		
	Life	100,000 cycles or more		
	Min. opening and closing specifications	5 V, 10 mA (reference value)		
Communica- tion	Communication system	Communication protocol	RS-485	
		Network	Multidrop, this device is provided with the slave station function. 1 to 31 units max.	
		Data flow	Half-duplex	
		Synchronization method	Start/stop synchronization	
	Interface	Transmission system	Balance (differential) type	
		Data line	Bit serial	
		Communication lines	3 transmit/receive lines	
		Transmission speed	4800, 9600, 19200, 38400 bps	
		Communication distance	500 m max.	
		Protocol	RS-485 (3-wire type)	
Message characters	Character configuration	9 to 12 bits/character		
	Data length	7 or 8 bits		
	Stop bit length	1 or 2 bits		
	Parity bit	Even parity, odd parity, or non-parity		
Loader communica- tion	Communication line	3-wire		
	Transmission speed	Fixed at 19200 bps		
	Recommended cable	Dedicated cable, 2 m long		
Current transformer input	Number of inputs	2 points		
	Detection function	Control output is ON.: Detection of heater line break or overcurrent Control output is OFF.: Detection of final control devices short-circuit		
	Input object	Number of current transformer windings: 800 turns QN206A (5.8 mm-hole diameter) Optional QN212A (12 mm-hole diameter) Optional		
	Measurement current range	0.4 to 50 A		
	Indication accuracy	±5 %FS±1digit		
	Indication range	0.0 to 70.0 A		
	Indication resolution	0.1 A		
	Output	Selected from control output 1 and control output 2, or event output 1, event output 2, and event output 3.		
Min. detection time	Burnout detection: Min. control output ON time 0.3 s or more Final control device short-circuit detection: Min. control output OFF time 0.3 s or more			

General specifications	Memory backup	Semiconductor non-volatile memory		
	Power supply voltage	AC power supply model: 85 to 264 Vac, 50/60 Hz±2 Hz DC power supply model: 21.6 to 26.4 Vac, 50/60±2 Hz, 21.6 to 26.4 Vdc		
	Power consumption	AC power supply model: Max. 12 VA DC power supply model: Max. 12 VA (24 Vac), Max. 8 W (24 Vdc)		
	Insulation resistance	Between power supply terminal and secondary terminal, 500 Vdc, 10 MΩ or more		
	Dielectric strength	AC power supply model: Between power supply terminal and secondary terminal, 1500 Vac for 1 min. DC power supply model: Between power supply terminal and secondary terminal, 500 Vac for 1 min.		
	Power ON inrush current	AC power supply model: 20 A or less DC power supply model: 20 A or less		
	Operating conditions	Ambient temperature	0 to 50°C (0 to 40°C for side-by-side mounting)	
		Ambient humidity	10 to 90 %RH (no condensation allowed)	
		Vibration resistance	0 to 2 m/s ² (10 to 60 Hz for 2 hrs. in each of X, Y, and Z directions)	
		Shock resistance	0 to 10 m/s ²	
		Mounting angle	Reference plane ±10°	
	Transportation conditions	Ambient temperature	-20 to +70°C	
		Ambient humidity	10 to 95 %RH (no condensation allowed)	
		Package drop test	Drop height, 60 cm, (1 corner, 3 sides, 6 planes, free fall)	
	Console and case material	Console: Polycarbonate Case: Modified PPE		
	Case color	Light gray (DIC650)		
Standards compliance	EN61010-1, EN61326-1 ^{*1} . UL61010-1, CAN/CSA C22.2 No.61010-1 ^{*2}			
Overvoltage category	Category II (IEC60364-4-433, IEC60664-1)			
Mounting	Panel mounting (with dedicated mounting bracket)			
Weight	C25: Approx. 250 g (including dedicated mounting bracket)			
	C26: Approx. 300 g (including dedicated mounting bracket)			

Standard accessories	Part name	Model	Q'ty	Optional parts (sold separately)	Part name	Model	Q'ty
	Mounting bracket	81409654-001	2		<p>*1 For use in industrial locations During EMC testing, the reading or output may fluctuate by ±10 % FS. *2 Varies depending on the model.</p>	Mounting bracket	81409654-001
User's manual	CP-UM-5288JE	1	Current transformer	QN206A (5.8mm-hole dia.)		1	
				QN212A (12mm-hole dia.)		1	
				Hard cover		81446915-001 (for C25)	1
						81446916-001 (for C26)	1
				Soft cover		81441121-001 (for C25)	1
						81441122-001 (for C26)	1
				Terminal cover		81446912-001 (for C25)	1
						81446913-001 (for C26)	1
				Smart loader package	SLP-C35J50 (common for C25 and C26)	1	

Table 1 Input types and ranges

Input type	C01 No.	Sensor type	Range	
Thermo-couple	1	K	-200 to +1200°C	-300 to +2200°F
	2	K	0 to 1200°C	0 to 2200°F
	3	K	0 to 800°C	0 to 1500°F
	4	K	0.0 to 600.0°C	0 to 1100°F
	5	K	0.0 to 400.0°C	0 to 700°F
	6	K	-200.0 to +400.0°C	-300 to +700°F
	7	K	-200.0 to +200.0°C	-300 to +400°F
	8	J	0 to 1200°C	0 to 2200°F
	9	J	0.0 to 800.0°C	0 to 1500°F
	10	J	0.0 to 600.0°C	0 to 1100°F
	11	J	-200.0 to +400.0°C	-300 to +700°F
	12	E	0.0 to 800.0°C	0 to 1500°F
	13	E	0.0 to 600.0°C	0 to 1100°F
	14	T	-200.0 to +400.0°C	-300 to +700°F
	15	R	0 to 1600°C	0 to 3000°F
	16	S	0 to 1600°C	0 to 3000°F
	17	B	0 to 1800°C	0 to 3300°F
	18	N	0 to 1300°C	0 to 2300°F
	19	PL II	0 to 1300°C	0 to 2300°F
	20	Wre5-26	0 to 1400°C	0 to 2400°F
	21	Wre5-26	0 to 2300°C	0 to 4200°F
	22	Ni-NiMo	0 to 1300°C	0 to 2300°F
	23	PR40-20	0 to 1900°C	0 to 3400°F
	24	DIN U	-200.0 to +400.0°C	-300 to +700°F
	25	DIN L	-100.0 to +800.0°C	-150 to +1500°F
	26	Golden iron chromel	0.0K to 360.0°K	0.0 to 360.0°K

! Handling Precautions

- The accuracy is $\pm 0.3\%FS \pm 1$ digit, and $\pm 0.6\%FS \pm 1$ digit for a negative area of the thermocouple.
- The accuracy varies according to the range.
The accuracy of the No.17 (sensor type B) is $\pm 4.0\%FS$ for a range of 260°C or less, $\pm 0.4\%FS$ for 260 to 800°C.
The accuracy of the No.23 (sensor type PR40-20) is $\pm 2.5\%FS$ for 0 to of 300°C, and $\pm 1.5\%FS$ for 300 to 800°C, $\pm 0.5\%FS$ for 800 to of 1900°C.
The accuracy of the No.26 (sensor type golden iron chromel) is $\pm 1.5\%K$.
- For ranges with a decimal point, tenths are displayed on the line underneath point.

Input type	C01 No.	Sensor type	Range	
RTD	41	Pt100	-200.0 to +500.0°C	-300 to +900°F
	42	JPt100	-200.0 to +500.0°C	-300 to +900°F
	43	Pt100	-200.0 to +200.0°C	-300 to +400°F
	44	JPt100	-200.0 to +200.0°C	-300 to +400°F
	45	Pt100	-100.0 to +300.0°C	-150 to +500°F
	46	JPt100	-100.0 to +300.0°C	-150 to +500°F
	47	Pt100	-100.0 to +200.0°C	-150 to +400°F
	48	JPt100	-100.0 to +200.0°C	-150 to +400°F
	49	Pt100	-100.0 to +150.0°C	-150 to +300°F
	50	JPt100	-100.0 to +150.0°C	-150 to +300°F
	51	Pt100	-50.0 to +200.0°C	-50 to +400°F
	52	JPt100	-50.0 to +200.0°C	-50 to +400°F
	53	Pt100	-50.0 to +100.0°C	-50 to +200°F
	54	JPt100	-50.0 to +100.0°C	-50 to +200°F
	55	Pt100	-60.0 to +40.0°C	-60 to +100°F
	56	JPt100	-60.0 to +40.0°C	-60 to +100°F
	57	Pt100	-40.0 to +60.0°C	-40 to +140°F
	58	JPt100	-40.0 to +60.0°C	-40 to +140°F
	59	Pt100	-10.00 to +60.00°C	-10 to +140°F
	60	JPt100	-10.00 to +60.00°C	-10 to +140°F
	61	Pt100	0.0 to 100.0°C	0 to 200°F
	62	JPt100	0.0 to 100.0°C	0 to 200°F
	63	Pt100	0.0 to 200.0°C	0 to 400°F
	64	JPt100	0.0 to 200.0°C	0 to 400°F
	65	Pt100	0.0 to 300.0°C	0 to 500°F
	66	JPt100	0.0 to 300.0°C	0 to 500°F
	67	Pt100	0.0 to 500.0°C	0 to 900°F
	68	JPt100	0.0 to 500.0°C	0 to 900°F

Input type	C01 No.	Sensor type	Range
Linear input	81	0 to 10 mV	Scaling in the range of -1999 to +9999 Decimal point position a changeable
	82	10 to +10 mV	
	83	0 to 100 mV	
	84	0 to 1 V	
	86	1 to 5 V	
	87	0 to 5 V	
	88	0 to 10 V	
	89	0 to 20 mA	
	90	4 to 20 mA	

Model selection guide

I II III IV V VI VII VIII Example: C25TR0UA1000

I	II	III	IV	V	VI	VII	VIII	Specifications	
Basic model No.	Mounting	Control output	PV input	Power supply	Option 1	Option 2	Additional processing		
C25								Mask size 48 mm x 96 mm	
C26								Mask size 96 mm x 96 mm	
	T							Panel mounting type	
								Control output 1	Control output 2
		R0						Relay contact output	—
		V0						Voltage pulse output (for SSR drive)	—
		VC						Voltage pulse output (for SSR drive)	Current output
		VV						Voltage pulse output (for SSR drive)	Voltage pulse output (for SSR drive)
		C0						Current output	—
		CC						Current output	Current output
			U					Universal	
				A				AC model (100 to 240 Vac) 50/60 Hz	
				D				DC model (24 Vac/dc) (available soon)	
					1			Event relay output: 3 points	
					2			Event relay output: 3 points, auxiliary output (current output)	
					4			Event relay output: 2 points (independent contact),	
					5			Event relay output: 2 points (independent contact), auxiliary output (current output)	
					0			—	
					1			Current transformer inputs: 2 points, digital inputs: 4 points	
					2			Current transformer inputs: 2 points, digital inputs: 4 points, RS-485 Communication	
							0	None	
							D	With test data	
							Y	With traceability certification.	

*1 Not selectable with the DC power supply model.

*2 Current transformer is sold separately.

*3 Additionally, tropicalization and anti-sulfidation treatments can be ordered. However, there are some specifications restrictions. For details, contact the azbil Group.

* Standards compliance

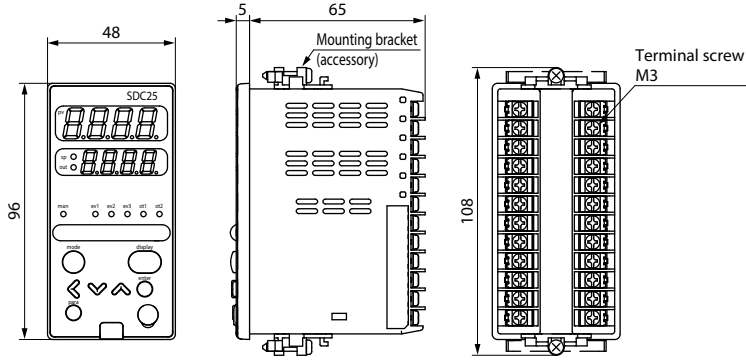
*: 0: Non

*: A: UL-marked product

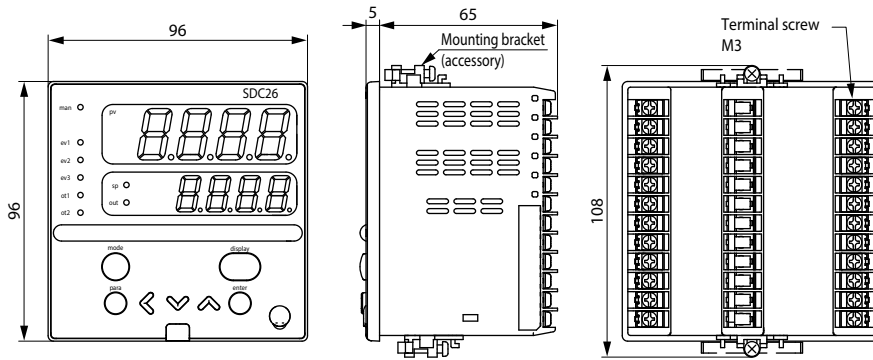
Dimensions

(Unit: mm)

● C25



● C26



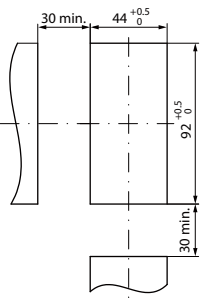
! Handling Precautions

- To fasten this controller onto the panel, tighten a mounting bracket screws, and turn one more half turn when there is no play between the bracket and panel. Excessively tightening the screws may deform the controller case.

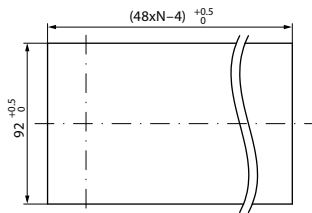
● Panel cutout diagram

• C25

Stand-alone mounting

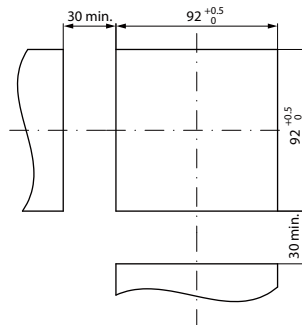


Gang-mounting

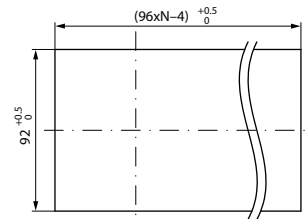


• C26

Stand-alone mounting



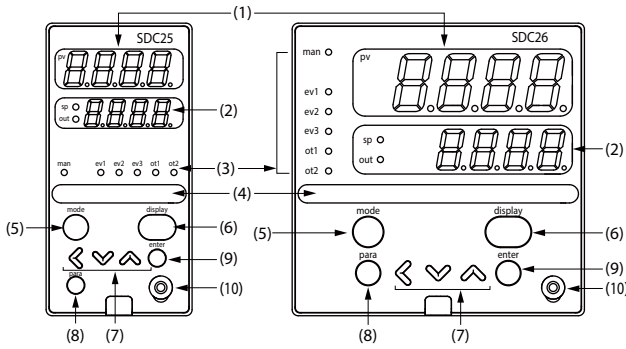
Gang-mounting



! Handling Precautions

- When three or more units are gang-mounted horizontally, the maximum allowable ambient temperature is 40°C.
- For water-proof installation, install the attached gasket and then mount the device as a stand-alone device.

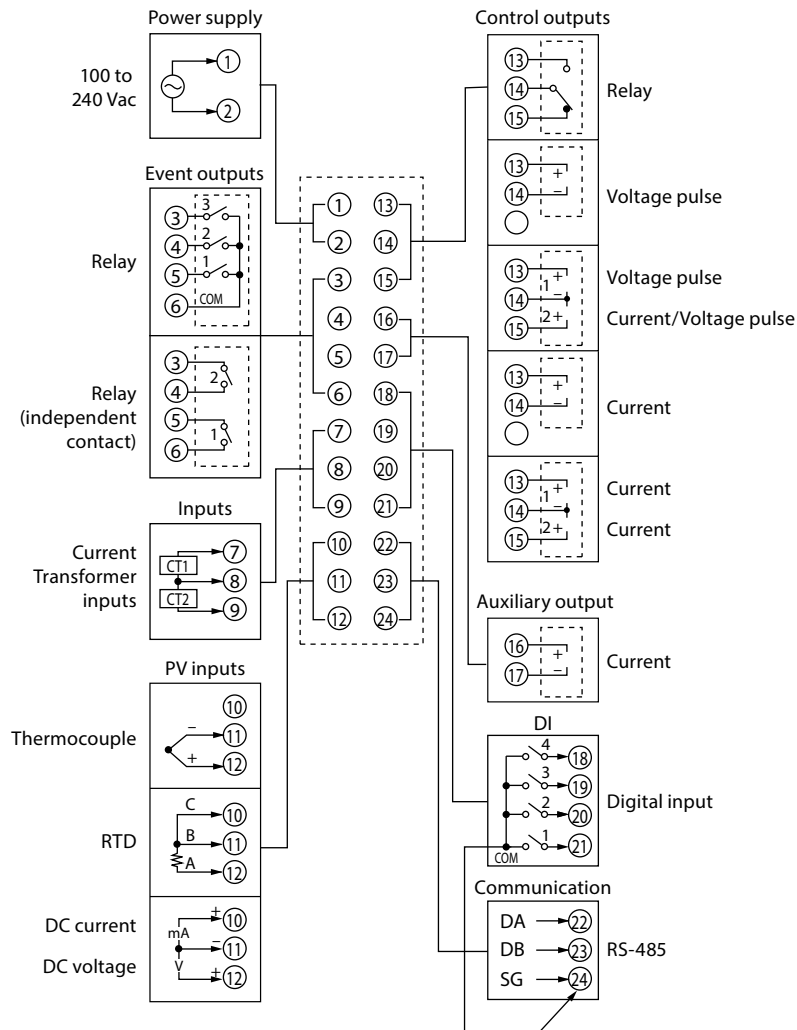
Part names and functions



- (1) Upper display: Displays PV values (present temperature, etc.) or setup items.
- (2) Lower display: Displays SP values (set temperature, etc.) and other parameter values. When the lower display shows the SP value, the “sp” lamp lights up. When the display shows the manipulated variable (MV), the “out” lamp lights up.

- (3) Mode indicator
 - man: Lights when MANUAL (manual mode).
 - ev1 to ev3: Lights when event relays are ON.
 - ot1, ot2: Lights when the control output is ON.
- (4) Multi-status indicator: In the combination of the lighting condition and the lighting status as a group, the priority 3 groups can be set.
- (5) [mode] key: The operation which has been set beforehand can be done by pushing the key for 1s or more.
- (6) [display] key: Used to change the display contents in the operation display mode. Display is returned from bank setup display to operation display.
- (7) <, v, ^ key: Used for incrementing numeric values and performing arithmetic shift operations.
- (8) [para] key: Switches the display.
- (9) [enter] keys: Used to set the setup values at the start of change and during the change.
- (10) Loader connector: Connects to a personal computer by using a dedicated cable supplied with the Smart Loader Package.

Connection of C25/26



■ Precautions on the use of self-tuning function

The final control devices must be powered up simultaneously with or prior to the instrument when the self-tuning function is to be used.

■ Precautions on wiring

1. Isolation within instrument

Solid line portions "—————" are isolated.

Dotted line portions "-----" are not isolated.

Power supply	Internal Circuit	Control output 1
PV input		Control output 2
Current Transformer input 1		Auxiliary output
Current Transformer input 2		
Loader communication		Event output 1 *1 Event output 2 *1 Event output 3
Digital input 1		
Digital input 2		
Digital input 3		
Digital input 4		
RS-485 Communication		

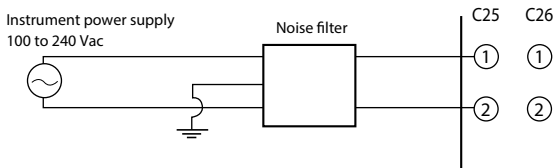
Availability of input and output is based on a model number.

*1 In case of independent contact, the part between the event output 1 and the event output 2 is isolated.

2. Preventive measures against noise of instrument power supply

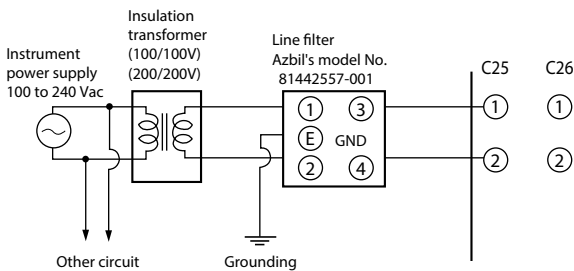
(1) Reduction of noise

Even though the noise is small, the noise filter is used to eliminate the effect of the noise as much as possible.



(2) When noise is excessive

If a large amount of noise exists, appropriate isolation transformer and line filter are used to eliminate the effect of the noise.



3. Installation environment noise sources and preventive measures

Generally, the following may be the noise sources in the installation environment:

Relay and contact, electromagnetic coil, solenoid valve, power supply line (particularly, 100 Vac or more), motor commutator, phase angle control SCR, radio communication device, welding machine, high-voltage ignitor, etc.

Preventive measures against fast rise noise

Use of CR filter is effective to prevent fast rise noise.

Recommended filter:

Azbil's model No. **81446365-001**

4. Wiring precautions

- (1) After taking the noise preventive measures, do not bundle the primary and secondary power cables together or put both power cables in the same conduit or duct.
- (2) Keep the input/output and communication lines 50 cm or more away from the power lines and power supply lines having a voltage of 100 Vac or more. Additionally, do not put these lines together in the same conduit or duct.

5. Inspection after wiring

After the wiring work has been completed, always inspect and check the wiring status. Great care should be taken since incorrect wiring may cause the instrument to malfunction or severe personal injury.

Please, read 'Terms and Conditions' from following URL before the order and use.

<https://www.azbil.com/products/factory/order.html>

Specifications are subject to change without notice.

azbil

Azbil Corporation

Advanced Automation Company

1-12-2 Kawana, Fujisawa

Kanagawa 251-8522 Japan

URL: <https://www.azbil.com/>

1st edition: Apr. 2004
7th edition: Nov. 2021

No part of this publication may be reproduced or duplicated without the prior written permission of Azbil Corporation.